

# Explosionproof Floodlights

For 150W or 300W reflector Incandescent lamps.

10

## Applications

- Class I, Groups C and D locations such as aircraft service areas, oil and gas loading docks, distilleries.

## Features

- Floodlights feature rugged, light-weight cast aluminum construction and are factory wired and sealed — no external seals are required. Choice of lamp types provides various distribution patterns. Use medium base 150W PAR-38, R-40 or 300W R40 reflector lamps.

- Yoke is manufactured of high-strength aluminum alloy.

- Floodlight housing, wheelbase, yoke and wiring compartment are aluminum enamel finished.

• Portable model with wheelbase has handles for convenient carrying, built-in wrench allowing 135° vertical adjustment. Weighs 10 lbs.; easy to carry.

- External cable on portable wheelbase unit (not furnished) should be 3-conductor No. 16 A.W.G. type S or SO rubber covered cable. Service end of cord should be equipped with a 3-wire, 3-pole explosionproof plug (see Catalog Section L) for connecting to an explosionproof receptacle.

- Terminal block has pressure terminal for connecting rubber covered cable to floodlight. Cable Connector takes a .375" to .500" outside diameter cord. Sizes up to .625" diameter are available on special order.

- Permanent base model has explosionproof junction wiring chamber with 3/4" horizontal feed-thru hubs. Vertical adjustment to 135°; horizontal to 345°.

- Lens is thermal shock and impact resistant glass.

## Compliances

- UL Listed Standard 844.

- EF Series floodlight for 150W PAR-38 or R-40 reflector lamps: Class I, Groups C, D.

- EF Series floodlight for 300W R-40 reflector lamps: Class I, Group D.

- Copperfree aluminum alloy and stainless steel construction withstands 500 hours of salt-spray test. Per MIL-F-8115C.



GEFWB-38



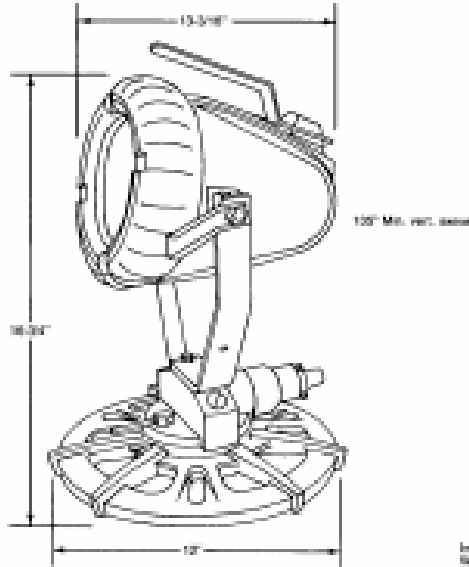
GEFUB-38

# Explosionproof Floodlights

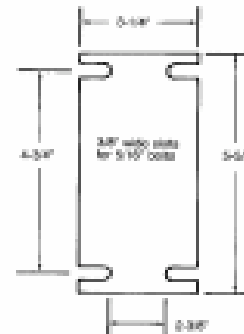
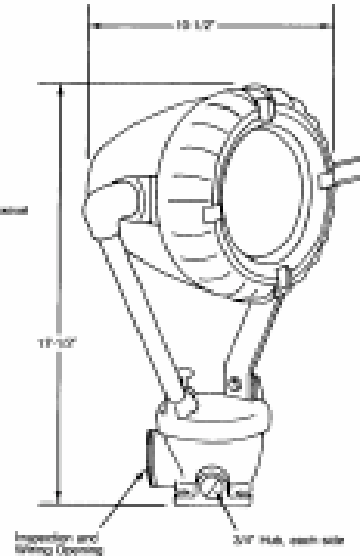
For 150W or 300W reflector incandescent lamps.

EF Series floodlight for 150W PAR-38 or R-40 reflector lamps: Class I, Groups C, D.  
 EF Series floodlight for 300W R-40 reflector lamp: Class I, Group D.

## Wheelbase Floodlight (GEFNB-30)



## Permanent Base Floodlight (GEFJB-30)



G-**EFJB-30**  
Base Dimensions

## Ordering Information

Description	Catalog Number
<b>EF Series Explosionproof Floodlights</b>	
For 150W incandescent medium base PAR-38 (T3C) projector spot or flood, or	
150W or 300W incandescent medium base R-40 (T3C) reflector spot or flood	
Portable Flood with Wheelbase and Handle. Accommodates .375"-.500" cable.	G- <b>EFNB-30</b>
Permanent Base Floodlight, for .314" conduit	G- <b>EFJB-30</b>

†Can be furnished to accommodate cable sizes to .625" Dia. on special order. Cable must be ordered separately.